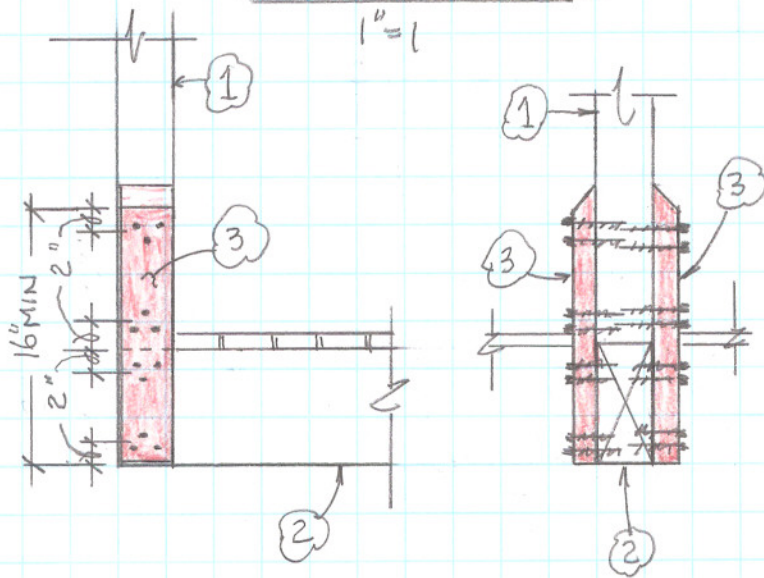
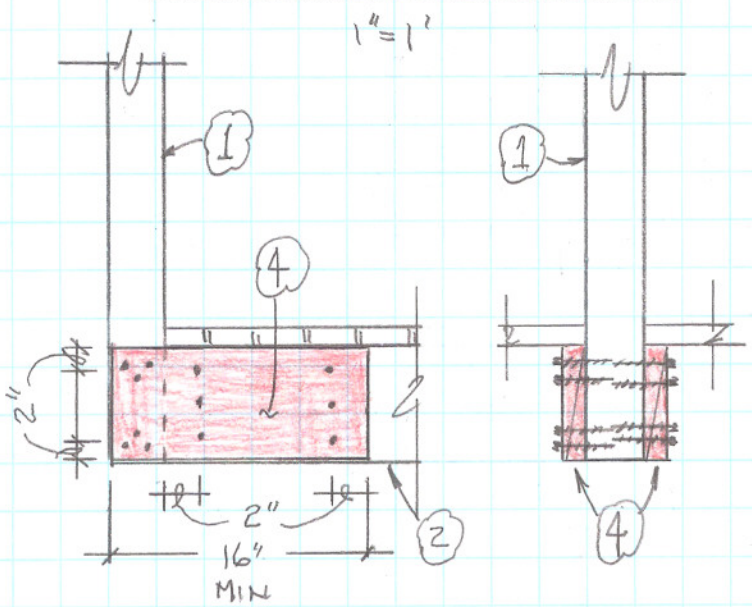


CASE 1
POST ON TOP OF BEAM



CASE 2,
POST BUTTING TO BEAM END



DECK POST CONNECTIONS

1. Deck Posts. Use min 4x4 HF, PT at 4' max spacing.
2. Deck Beams. Use min 4x8 HF PT at each post.
3. Vertical Cleat. Use min., 2x4 HF PT as shown.
 - a. Glue cleat to post and beam. Ensure all surfaces are dry and clean prior to gluing.
 - b. Use SDS 1/4 x 3-1/2 screws in pattern shown. Note that SDS screws are in clusters of three. Offset SDS screws slightly to avoid splitting of any member. Pre-drill if necessary to avoid splitting. The 2" dimensions shown are to the center of SDS cluster.
4. Horizontal Cleat. Use min., 2x8 HF PT as shown.
 - a. Glue cleat to post and beam. Ensure all surfaces are dry and clean prior to gluing.
 - b. Use SDS 1/4 x 3-1/2 screws in pattern shown. Note that SDS screws are in clusters of three. Offset SDS screws slightly to avoid splitting of any member. Pre-drill if necessary to avoid splitting. The 2" dimensions shown are to the center of SDS cluster.